

# VA9104 Series Electric Non-Spring Return Valve Actuators (Asia)

Product Bulletin

LIT-12013278  
Issued January 2021

The VA9104 Series Actuators are direct-mount, non-spring return electric valve actuators that operate on 24 VAC or 100 to 240 VAC power. Use these synchronous motors or stepper motors (for line voltage models) driven actuators to provide accurate positioning on Johnson Controls® VG1000 Series ball valves in HVAC applications.

The VA9104 Series Electric Non-Spring Return Actuators provide a running torque of 35 lb-in (4 N·m). The nominal travel time is 60 seconds at 60 Hz (72 seconds at 50 Hz) for 90° of rotation.



**Figure 1: VA9104 Series Electric Non-Spring Return Actuator on VG1000 Series Ball Valve**

**Table 1: Features and benefits**

Features	Benefits
<b>35 dBA maximum audible noise rating at 1 meter</b>	Audible noise requirements for open ceiling environments: whisper quiet operation will not disturb building occupants.
<b>Synchronous drive (-AGA, -IGA, -GGA models)</b>	Constant rotation time that is independent of the load.
<b>100,000 cycle rating</b>	Years of trouble-free service.
<b>Direct mounting with single screw</b>	Installation time and cost reduced.
<b>Manual override</b>	Manual positioning of the valve, independent of a power supply.
<b>Cable or screw terminal electrical connections</b>	Wiring is quick and easy while allowing for ceiling plenum applications.
<b>Available weather shield for field mounting</b>	Follows NEMA 4X, IP66 specifications.
<b>Optional M9000-561 Thermal Barrier</b>	Fluid temperature range extended to 284°F (140°C) or 15 psig saturated steam.

**IMPORTANT:** Use this VA9104 Series Electric Non-Spring Return Actuator only to control equipment under normal operating conditions. Where failure or malfunction of the electric actuator could lead to personal injury or property damage to the controlled equipment or other property, additional precautions must be designed into the control system. Incorporate and maintain other devices, such as supervisory or alarm systems or safety or limit controls, intended to warn of or protect against failure or malfunction of the electric actuator.

**IMPORTANT:** Do not install or use this VA9104 Series Electric Non-Spring Return Actuator in or near environments where corrosive substances or vapors could be present. Exposure of the electric actuator to corrosive environments may damage the internal components of the device, and will void the warranty.

## Operation

When combined with a controller, the VA9104 Series Electric Non-Spring Return Actuator provides reliable, integrated ball valve control. An AC 24 V (AGA or IGA models), AC 100 to 240 V (IUA models), or AC 24 V power and a DC 0(2) to 10 V or 0(4) to 20 mA controller (GGA models) input signal from the controller to electric actuator causes the motor to rotate in the proper direction and moves the ball open or closed. When the controller stops sending the input signal, the electric actuator remains in place.

**Note:** To avoid excessive wear or drive time on the motor for the AGA models, use a controller and/or software that provides a timeout function at the end of rotation (stall).

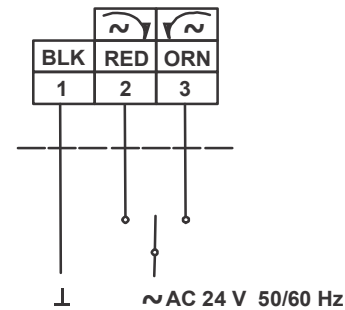
## Repair information

If the VA9104 Series Electric Non-Spring Return Valve Actuator fails to operate within its specifications, replace the unit. For a replacement electric actuator, contact the nearest Johnson Controls representative.

## Wiring diagrams

### VA9104-AGA-1S and VA9104-IGA-1S

The VA9104-AGA-1S and VA9104-IGA-1S Series Electric Non-Spring Return Valve Actuators require an AC 24 V input signal and work with a variety of controllers. These electric actuators include an integrated 48 in. (1.2 m) long cable; see Figure 2 for proper wiring.

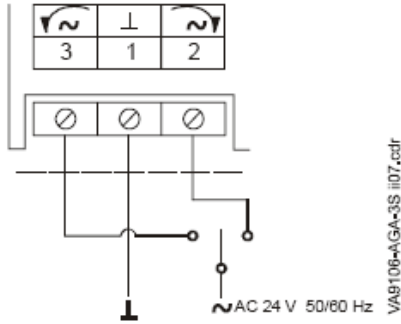


**Figure 2: VA9104-AGA-1S and VA9104-IGA-1S Control Wiring Diagram**

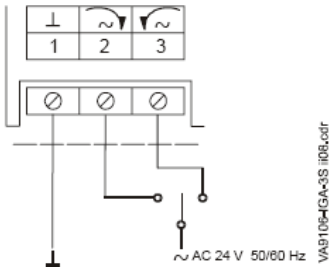
**Note:** Use a controller or software that provides a timeout function at the end of rotation (stall) to avoid excessive wear or drive time on the actuator motor with all VA9104-AGA Series Actuators. The -GGA and -IGA models have an auto shutoff feature to prevent excessive wear or drive time on the motor.

**VA9104-AGA-3S and VA9104-IGA-3S**

The VA9104-AGA-3S and VA9104-IGA-3S Series Electric Non-Spring Return Valve Actuators require an AC 24 V input signal and work with a variety of controllers. These electric actuators include M3 screw terminals that require a slotted screwdriver; see Figure 3 and Figure 4 for proper wiring.



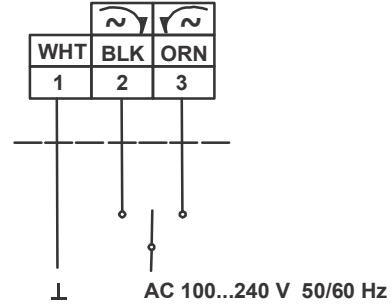
**Figure 3: VA9104-AGA-3S control wiring diagram**



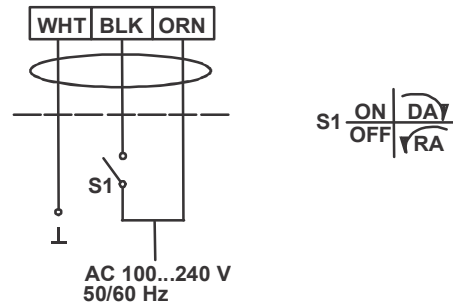
**Figure 4: VA9104-IGA-3S control wiring diagram**

**VA9104-IUA-1S**

The VA9104-IUA-1S Series Electric Non-Spring Return Valve Actuators require an 85 to 265 V AC input signal and work with a variety of controllers. These actuators include an integrated 48 in. (1.2 m) long cable; see Figure 5 and Figure 6 for proper wiring.



**Figure 5: VA9104-IUA-1S control wiring diagram**



**Figure 6: VA9104-IUA-1S on/off control wiring diagram**

### VA9104-GGA-1S

The VA9104-GGA-1S Series Electric Non-Spring Return Valve Actuators require AC 24 V power and a DC 0(2) to 10 V or 0(4) to 20 mA controller input signal. These electric actuators include an integrated 48 in. (1.2 m) long cable; see Figure 7 for proper wiring.

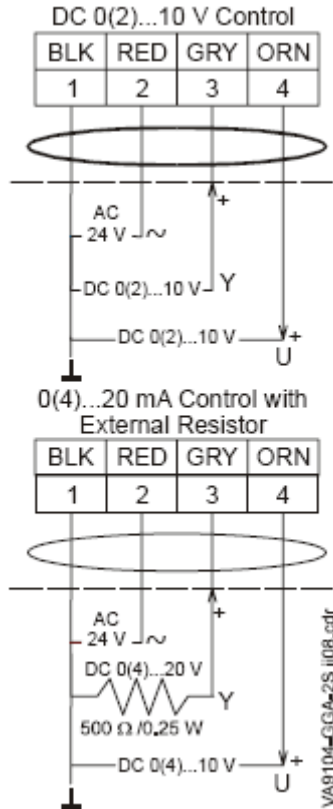


Figure 7: VA9104-GGA-1S control wiring diagram

### VA9104-GGA-3S

The VA9104-GGA-3S Series Electric Non-Spring Return Valve Actuators require AC 24 V power and a DC 0(2) to 10 V or 0(4) to 20 mA controller input signal. These electric actuators include M3 screw terminals that require a slotted screwdriver. See Figure 8 for proper wiring.

VA9104-GGA actuators are factory set for Direct Acting (DA) mode and for a DC 0 to 10 V input control signal. In DA mode, a minimum control signal drives the actuator to the full counterclockwise (CCW) position, and a maximum control signal drives the actuator to the full clockwise (CW) position.

For Reverse Acting (RA) operation, a minimum control signal drives the actuator to the full CW position and a maximum signal drives the actuator to the full CCW position. To change the factory settings, remove the actuator cover and adjust the switches on the circuit board.

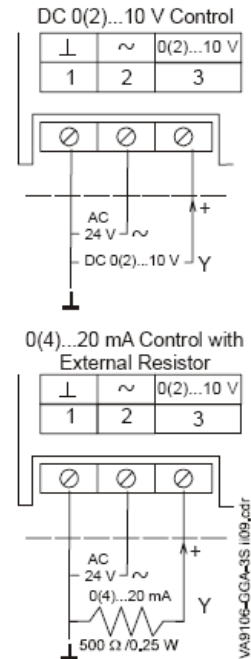
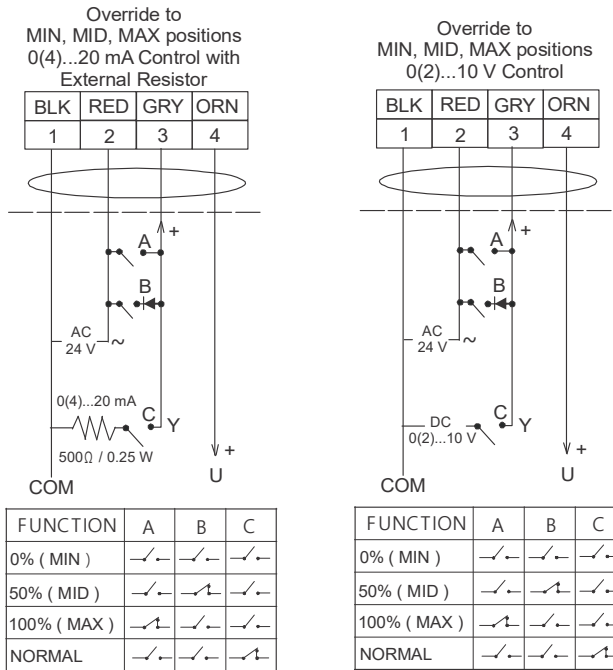
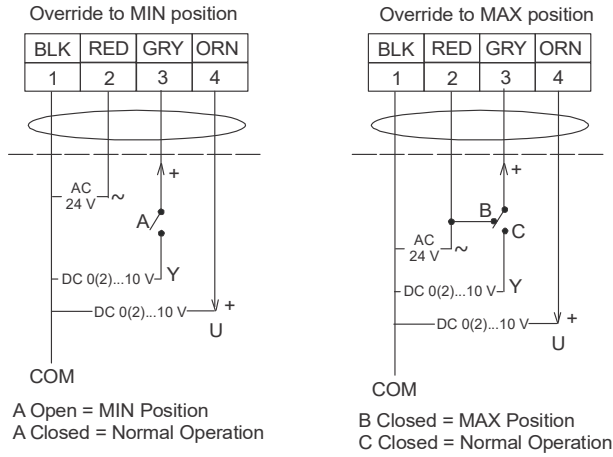


Figure 8: VA9104-GGA-3S control wiring diagram

The VA9104-GGA features 24 VAC override on the signal input allowing for application logic based fail position. Various wiring diagrams are provided to suit your application (Figure 9).



**Figure 9: VA9104-GGA control wiring diagram (overrides)**

## Ordering information

**Table 2: Selection chart**

Code number	Rotation time For 90°	Power requirement		Power consumption		Input signal		Position feedback	Electrical connection	
	Power On – Running (Seconds)	24 VAC + 25%/-20% at 50/60 Hz	85 to 265 V at 50/60 Hz	Amperage: Running	VA Rating, Transformer Sizing	Floating Point Without Timeout	On/Off and Floating Point With Timeout	0 (2) to 10 VDC 0 (4) to 20 mA (with 500 ohm Resistor)	0(2) to 10 VDC	1.2m (48in.) Polyvinyl Chloride (PVC) cable with 0.75 mm <sup>2</sup> conductors (19 AWG) and 6mm (.25in.) ferrule ends 48 in. (1.2 m) with 18 AWG (1.02 mm) conductors and connector for 3/8 in. (9.5 mm) flexible metal conduit M3 Screw Terminals (Require a Slotted Screwdriver)
VA9104-AGA-1S	60 s at 60 Hz 72 s at 50 Hz	X			2.3	X			X	
VA9104-AGA-3S	60 s at 60 Hz 72 s at 50 Hz	X			2.3	X				X
VA9104-GGA-1S	60 s at 60 Hz 72 s at 50 Hz	X			2.9		X	X	X	
VA9104-GGA-3S	60 s at 60 Hz 72 s at 50 Hz	X			2.9		X			X
VA9104-IGA-1S	60 s at 60 Hz 72 s at 50 Hz	X			3.0		X		X	
VA9104-IGA-3S	60 s at 60 Hz 72 s at 50 Hz	X			3.0		X			X
VA9104-IUA-1S	60 s at 60 Hz 60 s at 50 Hz		X	0.07 A	7.5		X			X

**Table 3: Accessories (order separately)**

Code number	Description
<b>M9000-342</b>	Weather Shield Kit for VG1000 Series Ball application of VA9104, VA9203, VA9208, and VA9308/9310 Series Electric Actuators (quantity 1)
<b>M9000-551</b>	Mounting Hardware Replacement Kit (quantity 1)
<b>M9000-561</b>	Thermal Barrier Kit. Extends the VA9104, VA9203, VA9208, and VA9308/9310 Series Electric Actuators applications to include low pressure steam (quantity 1).
<b>M9000-700</b>	Universal Ball Valve Linkage Kit (quantity 1)

## Technical specifications

### VA9104 Series Electric Non-Spring Return Valve Actuators (Part 1 of 2)

<b>Power requirements</b>	<b>VA9104-xxx-xS</b>	AC 24 V +25%/-20% at 50/60 Hz, 2.3 VA (-AGA), 2.9 VA (-GGA), 3.0 VA (-IGA) Supply, Class 2 or Safety Extra-Low Voltage (SELV)
	<b>VA9104-IUA-xS</b>	AC 100 to 240 V (-15%/+10%) at 50/60 Hz, 0.07 A running, and 7.5 VA supply
<b>Control type</b>	<b>VA9104-AGA-xS</b>	Floating control without timeout
	<b>VA9104-GGA-xS</b>	Proportional control
	<b>VA9104-IxA-xS</b>	Floating or on/off control with timeout
<b>Control signal</b>	<b>VA9104-AGA-xS</b>	AC 24 V +25%/-20% at 50/60 Hz, Class 2 or SELV without timeout
	<b>VA9104-GGA-xS</b>	DC 0 (2) to 10 V or 0 (4) to 20 mA with field-furnished 500 ohm resistor
	<b>VA9104-IGA-xS</b>	AC 24 V +25%/-20% at 50/60 Hz, Class 2 or SELV with timeout
	<b>VA9104-IUA-xS</b>	AC 100 to 240V -15%/+10% at 50/60 Hz, and 7.5 VA supply
<b>Control input impedance</b>	<b>VA9104-GGA-xS</b>	Voltage input: 200,000 ohm Current input: 500 ohm with field-furnished 500 ohm resistor
<b>Running torque</b>		35 lb-in (4 N·m)
<b>Travel time</b>	<b>VA9104-xGA-xS</b>	60 seconds at 60 Hz (72 Seconds at 50 Hz) for 90° of rotation
	<b>VA9104-IUA-1S</b>	60 seconds for 90° of rotation
<b>Rotation range</b>		93° ±3°, CW or CCW
<b>Cycles</b>		100,000 full stroke cycles; 2,500,000 repositions at rated running torque
<b>Audible noise rating</b>		35 dBA at 39-13/32 in. (1 m) maximum
<b>Electrical connections</b>	<b>VA9104-xxA-1S</b>	1.2 m (48 in.) Polyvinyl Chloride (PVC) cable with 0.75 mm <sup>2</sup> conductors (19 AWG) and 6 mm (.25 in.) ferrule ends
	<b>VA9104-xGA-3S</b>	M3 screw terminals (requires a slotted screwdriver)
	<b>VA9104-IUA-1S</b>	48 in. (1.2 m) with 18 AWG (1.02 mm) conductors and connector for 3/8 in. (9.5 mm) flexible metal conduit.
<b>Enclosure</b>	<b>VA9104-xxA-1S</b>	NEMA 2, IP42
	<b>VA9104-xGA-3S</b>	NEMA 1, IP40
<b>Ambient conditions</b>	<b>Operating</b>	-4 to 140°F (-20 to 60°C); 90% RH maximum, noncondensing
	<b>Storage</b>	-40 to 185°F (-40 to 85°C); 90% RH maximum, noncondensing
<b>Fluid temperature limits (actuator and valve assembly)</b>	<b>VG12x1 and VG18x1 Series</b>	23 to 203°F (-5 to 95°C)
	<b>VG12x5 and VG18x5 Series</b>	-22 to 212°F (-30 to 100°C)
	<b>VG12x5 and VG18x5 Series with M9000-561 Thermal Barrier installed</b>	-22 to 284°F (-30 to 140°C) water; 15 psig (103 kPa) at 250°F (121°C) saturated steam

**VA9104 Series Electric Non-Spring Return Valve Actuators (Part 2 of 2)**

<b>Compliance</b>	<b>United States</b>	UL Listed, CCN XAPX, File 27734 Plenum rated, UL2043, suitable for use in other environmental spaces (plenums) in accordance with section 300.22.(c) of the National Electrical Code
	<b>Canada</b>	cUL Listed, CCN XAPX7, File 27734 Plenum Rated Per CSA 22.2 No. 236/UL 1995, Heating and Cooling Equipment
	<b>Europe</b>	Johnson Controls declares that this product is in compliance with the essential requirements and other relevant provisions of the EMC Directive 2004/108/EC and the Low Voltage Directive 2006/95/EC.
	<b>Australia and New Zealand</b>	RCM Mark, Australia/NZ Emissions Compliant
<b>Shipping weight</b>		1.25 lb (0.55 kg)
<b>Software license</b>		Any software (including firmware) included in or with this product is licensed, not sold. Any Johnson Controls software included in or with this product is subject to the terms of the Johnson Controls End User License Agreement available at <a href="https://www.johnsoncontrols.com/buildings/legal/digital/generaleula">https://www.johnsoncontrols.com/buildings/legal/digital/generaleula</a> Any third party software (including open source software, if any) included in or with this product is subject to the terms of its respective license. By using any of the foregoing software, you are also agreeing to be bound to the terms of such licenses.

*The performance specifications are nominal and conform to acceptable industry standards. For application at conditions beyond these specifications, consult the local Johnson Controls office. Johnson Controls shall not be liable for damages resulting from misapplication or misuse of its products.*

**European Single Point of Contact:**

JOHNSON CONTROLS  
WESTENDHOF 3  
45143 ESSEN  
GERMANY

**NA/SA Single Point of Contact:**

JOHNSON CONTROLS  
507 E MICHIGAN ST  
MILWAUKEE WI 53202  
USA

**APAC Single Point of Contact:**

JOHNSON CONTROLS  
C/O CONTROLS PRODUCT MANAGEMENT  
NO. 22 BLOCK D NEW DISTRICT  
WUXI JIANGSU PROVINCE 214142  
CHINA

**Building Technologies & Solutions**

507 E. Michigan Street, Milwaukee, WI 5320

*Johnson Controls® is a registered trademark of Johnson Controls.  
All other marks herein are the marks of their respective owners. © 2021 Johnson Controls*